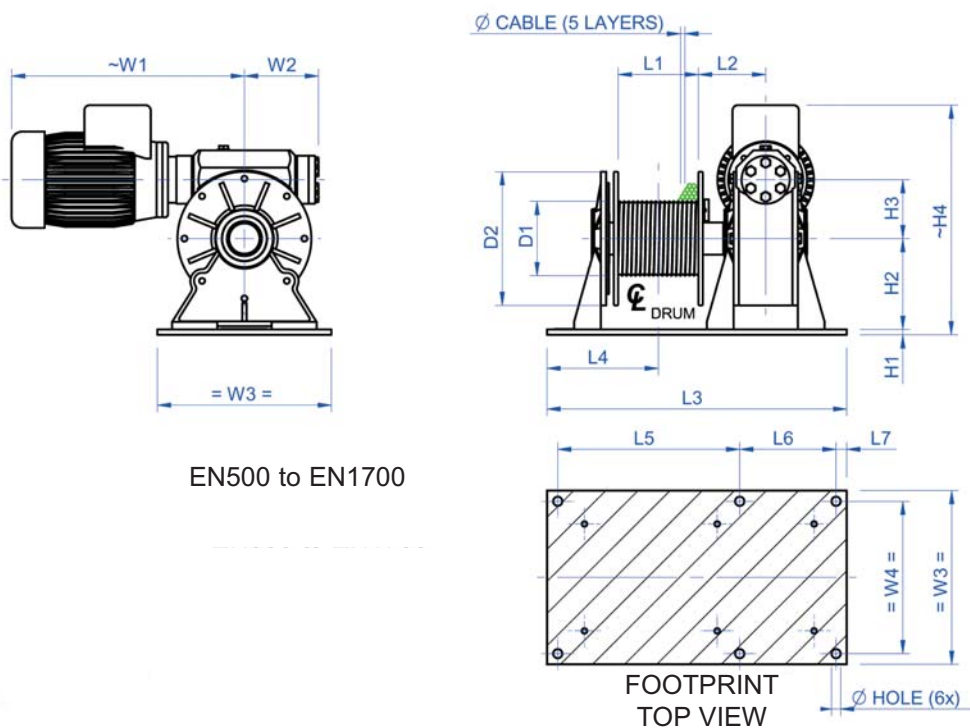


ELECTRIC WORM GEAR WINCH EN



EN500 to EN1700

Winch Type	W.L.L. 1st Layer kg	W.L.L. 3rd Layer kg	Recomm. Rope Dia mm	Speed 1st Layer m/min	Drum cap. 1st Layer m	Drum cap. 3rd Layer m	Motor power 400V kW	Weight without rope kg
EN200	200	165	5	6	3	11	0.55	20
EN450	450	375	6	7	3	11	1.1	35
EN500	500	405	7	5.5	7	25	1.1	60
EN800	800	640	8	6	6	23	1.5	90
EN1050	1050	840	10	7.5	9	31	3	150
EN1325	1325	1065	11	8	11	40	4	195
EN1700	1700	1370	12	9	13	48	5.5	260

POWERED WINCHES

Electric Worm Gear Winch

ELECTRIC WORM GEAR WINCH

www.rriuk.com
to download ebrochure